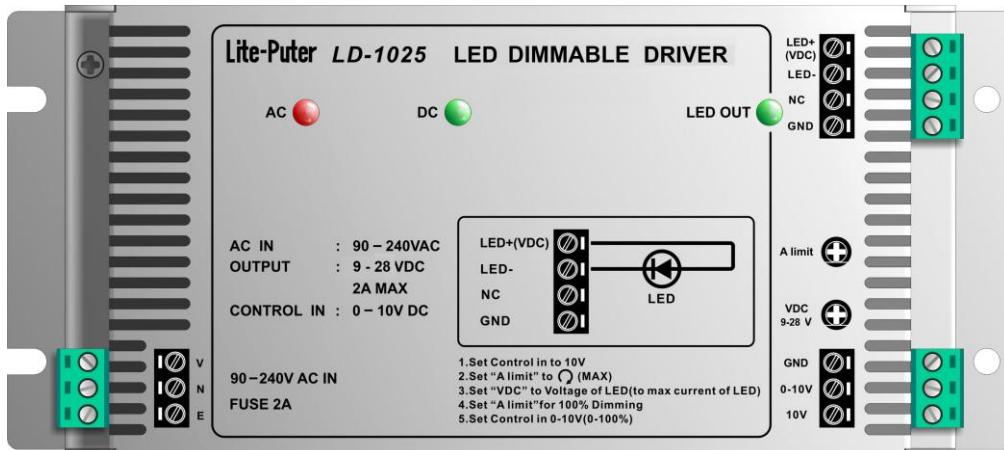


LD-1025

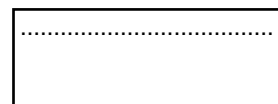
LED Dimmable Driver

【User Manual】



INDEX

1	INTRODUCTION	1
1-1	FEATURES	1
1-2	SPECIFICATIONS	1
1-3	FRONT SIDE.....	1
2	SETTING	2
2-1	STEP-BY-STEP SETTING	2
3.	HOW TO DIM BY AN EXTERNAL VARIABLE RESISTOR	5



1 Introduction

1-1 Features

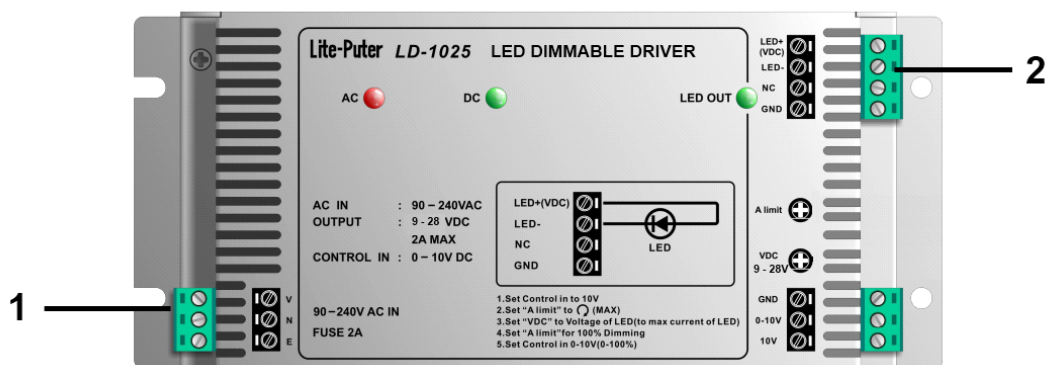
1. Precise 0 - 100% dimming effect, no flickering even at the lowest dimming level.
2. Adjustable constant voltage output (DC 9V - 28V)
3. Current limit adjustable (100mA – 2000mA).

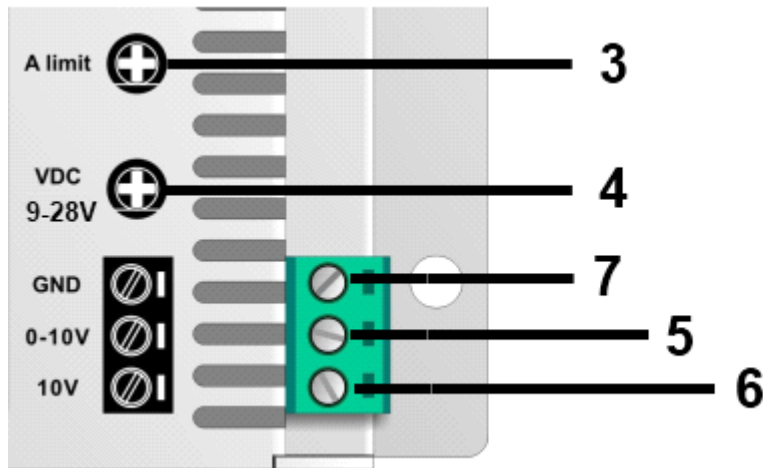
1-2 Specifications

1. AC Input: 90 – 240V AC
2. DC Output: 9 – 28V DC adjustable (constant voltage)
3. Dimming Control: 0 - 10V DC
4. Connector: 3-pin/4-pin green terminal
5. Dimension: 192 (W) * 86 (H) * 44 (D) mm
6. Weight: 390g

1-3 Front Side

1. AC 90 - 240V Input
2. LED Output.
3. Current Limit VR (A Limit)
4. Voltage Output VR (VDC 9 – 28V)
5. DC 0 - 10V Input
6. DC 10V Output
7. DC GND





2 Setting

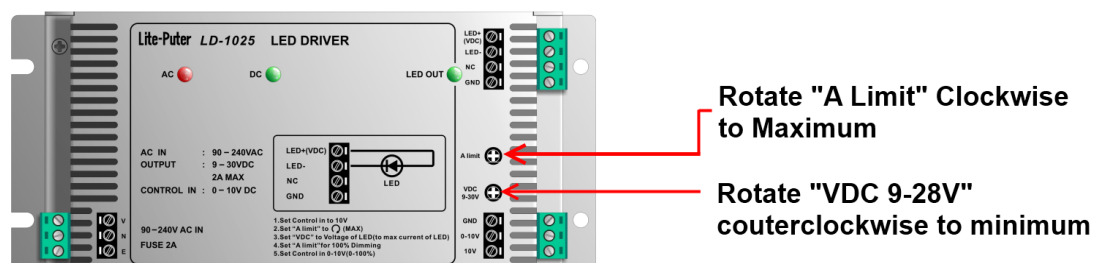
LD-1025 is a **constant voltage** LED dimmable driver. Connect identical LED lamps in parallel is preferred.

2-1 Step-by-Step Setting

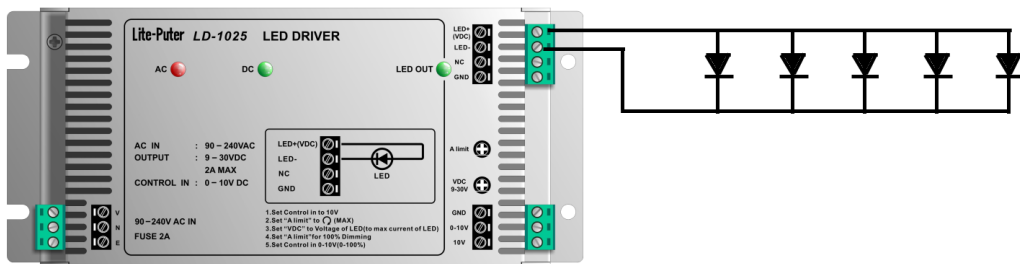
IMPORTANT: A current/voltage meter is required to do the following setting.

Example: Connecting 5 pieces MR-16 (350mA, 12V) in parallel.

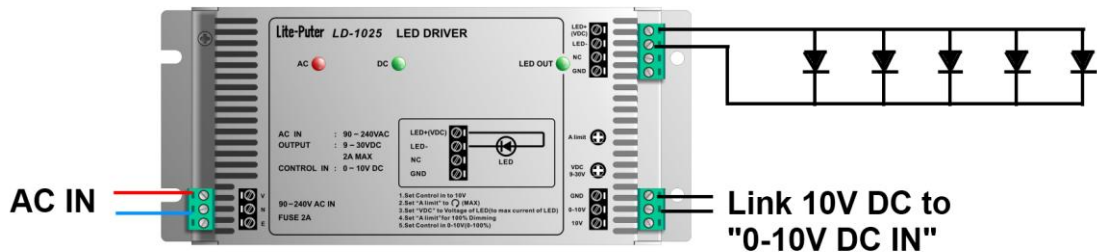
1. Adjust “**A Limit**” (current limit) to **maximum** by rotating the VR (variable resistor) clockwise to the end.
(The output current is not required to limit at this time.)
2. Adjust “**VDC 9 - 28V**” to **minimum** by rotating the VR counterclockwise to the end.



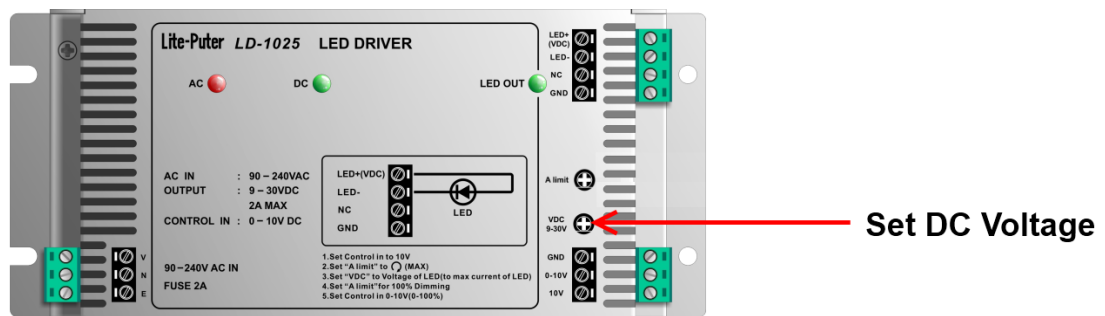
3. Connect the LEDs



4. Connect AC power to “AC IN”, and connect external 10V DC to “0- 10V DC IN”.



5. Adjust “VDC 9 - 28V” to make sure output current equal to (or lower than) rated current of the LEDs (in this example: $350\text{mA} \times 5 = 1750\text{mA}$).

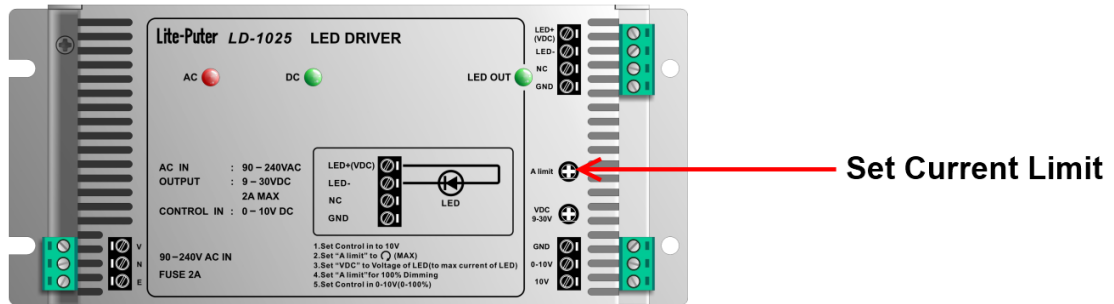


※ **DO NOT** make output current more than rated current of LEDs. Otherwise, the LED lamps might malfunction or the life time of LEDs will be shortened.

※ While some specifications of MR-16 LEDs indicates that the rated voltage is 12V DC, it is actually between 10 -12V DC, not exactly 12V DC. Therefore, simply setting output voltage as specifications of LED lamps is not recommended.

6. Set “A Limit” (current limit) exactly equal to the rated current of the LEDs:

Tips: Rotate “A Limit” counterclockwise to 99% of rated current, about 1740mA. And then rotate “A Limit” clockwise to 100% rated current (1750mA). By this way, LD-1025 is exactly 1750mA.



※ You can set current limit below rated current (in this case, below 1750mA) to further protect LED lamps.

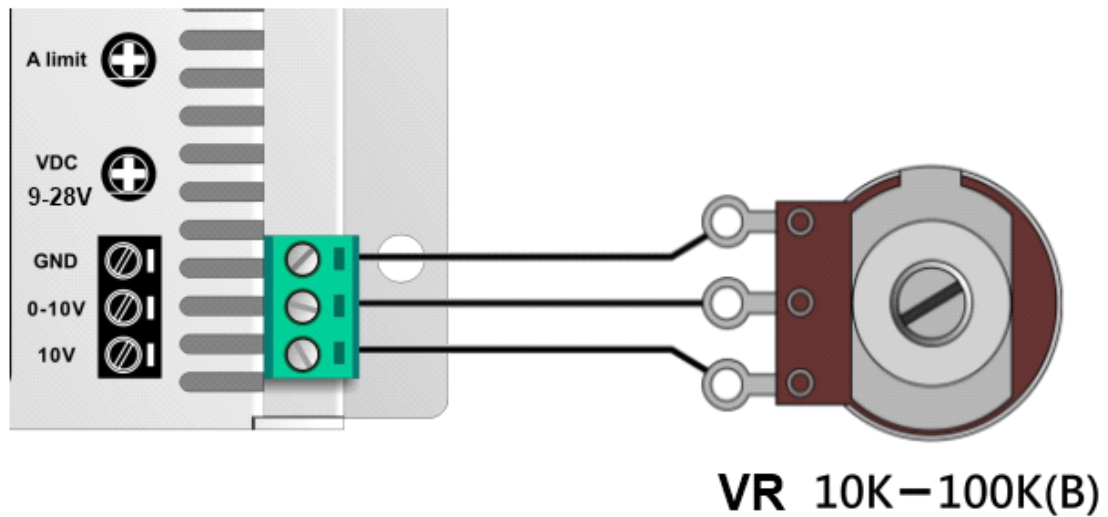
7. Done. Change 0-10V DC input to dim the LEDs.

In some applications, setting current limit below the rated current of the LEDs might be desirable. For example, if output current is not limited, the maximum number of MR-16 can be connected is 5 ($350\text{mA} \times 5 = 1750\text{mA} < 2000\text{mA}$). If the output is limited to 2000mA, 8 MR-16 LED can be connected in parallel (each one is 350mA, 12V). By this way, the current through each MR-16 LED is 250mA ($2000\text{mA} / 8$).

3. How to Dim by an External Variable Resistor

LD-1025 itself has a DC 10V output. It can be dimmed by connecting a variable resistor (VR). External DC 10V Input is not necessary.

The wiring diagram to an external VR to control dimming:



Limited Warranty

1. Lite-Puter is only responsible for the product itself.
2. Lite-Puter guarantees to keep Lite-Puter's from manufacturing defects within a year since the distributing date.
3. Lite-Puter does not offer on-site service. If the defects appear in Lite-Puter's product, please deliver the product to local distributors or to Taipei headquarters.
4. The warranty does not cover:
 - a. Any fault caused by false usage, imprudence (collision, inadequate installation or adjustment, insufficient ventilation, or improper repairs)
 - b. Force majeure factors (flooding, earthquake, volcanic eruption, or other factors beyond Lite-Puter control).
 - c. The cost of installing, reinstalling, adjusting, repairing, or reprogramming the product.
 - d. Other products or devices which are offered by Lite-Puter or not by Lite-Puter.
5. Lite-Puter does not warrant the product will operate without interruption or being free of error.

Revision Record

Version	Record
A	First issued
B	Edit Output Voltage

Issued: 2011/06

